

At a Glance

The Stagehand 17206 Pilewind brings additional safety at a cost effective price for theatre lifting applications. It comes fully EN 17206:2020 compliant for UC1 and UC2 and CE marked. We offer a range of standard variants which are shown in the table overleaf. Custom options are available upon request.

Standard Features

- MGM Motor with self-sustaining gearbox
- Two Precima Brakes with manual release
- Load-cell head pulley
- Overload and underload protection
- Two limit switches for end & ultimate travel
- Redundant rope keeps on the drum
- Floor, wall or ceiling mountable
- EN 17206:2020 Compliant for UC1 & UC2
- CE Marked

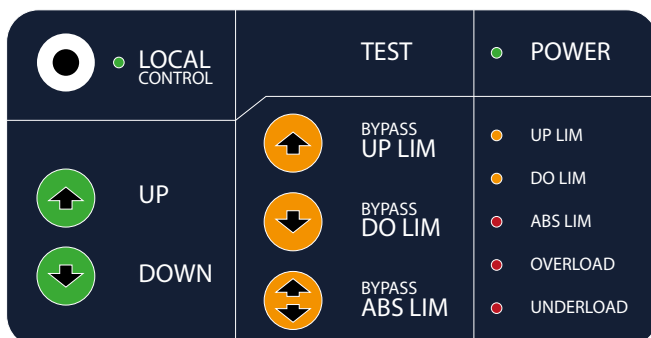
Optional Features

- Soft start/stop & variable speed
- Absolute Encoder
- Slack line detection
- Motor overheat detection
- Brake release sensors

Local Control Features

Every Stagehand 17206 comes with a local control box which includes a series of features that ensure EN 17206:2020 compliancy. It uses a toggle switch for local and remote control. A set of LEDs indicate the status of the hoist; e.g. if it is overloaded or a limit is struck.

Local Control Interface



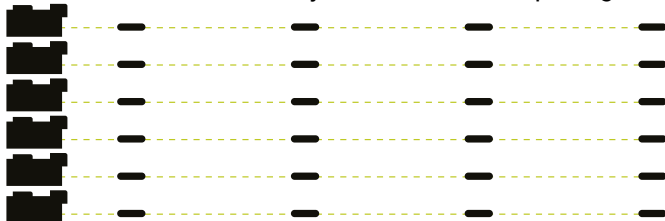
- Local / remote control selection toggle
- Power status indication
- Limit struck indication
- Limit switch bypass for testing
- Overload / Underload detection
- Power source failure indication
- Local e-stop for individual winch
- Local isolator on control box

Stagehand 17206 Variants

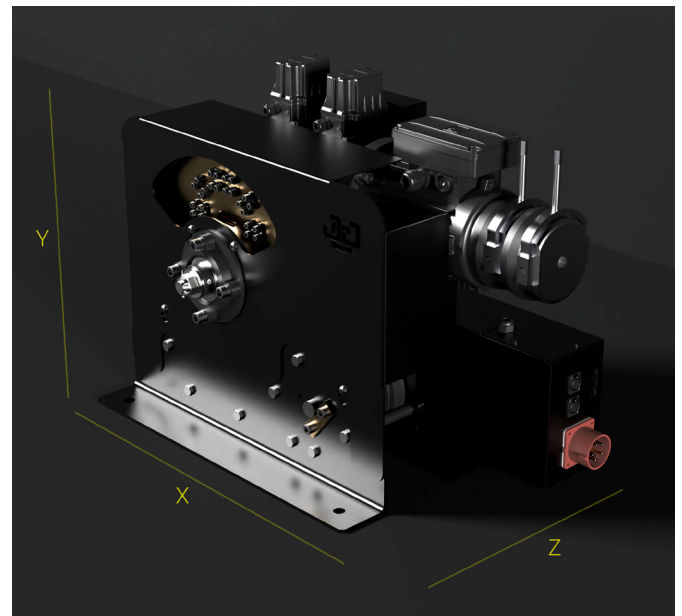
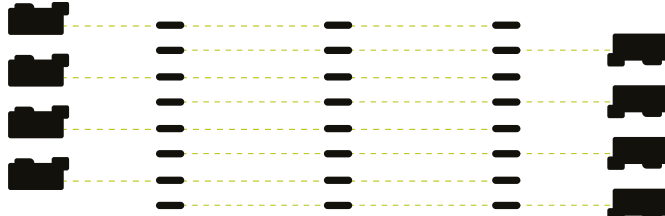
Winch ID	WLL (kg)	No. Lines	Speed (m/s)	Travel (m)	Rope Ø (mm)	Self Weight	Power (kw)	Dim. X (mm)	Dim. Y (mm)	Dim. Z (mm)	Spacing A (mm)	Spacing B (mm)
JCJ-PW+300-3	300	3	0.1-0.2	14	5	123	1.1	763	537	467	488	244
JCJ-PW+300-4	300	4	0.1-0.2	14	5	129	1.1	763	537	467	488	244
JCJ-PW+300-5	300	5	0.1-0.2	14	5	136	1.1	763	537	467	488	244
JCJ-PW+300-6	300	6	0.1-0.2	14	5	143	1.1	763	537	467	488	244
JCJ-PW+500-3	500	3	0.1-0.2	12	6	159	1.85	802	601	685	706	353
JCJ-PW+500-4	500	4	0.1-0.2	12	6	166	1.85	802	601	685	706	353
JCJ-PW+500-5	500	5	0.1-0.2	12	6	173	1.85	802	601	685	706	353
JCJ-PW+500-6	500	6	0.1-0.2	12	6	180	1.85	802	601	685	706	353
JCJ-PW+700-3	700	3	0.1-0.2	12	6	194	2.2	888	641	515	536	268
JCJ-PW+700-4	700	4	0.1-0.2	12	6	200	2.2	888	641	515	536	268
JCJ-PW+700-5	700	5	0.1-0.2	12	6	207	2.2	888	641	515	536	268
JCJ-PW+700-6	700	6	0.1-0.2	12	6	214	2.2	888	641	515	536	268
JCJ-PW+1000-3	1000	3	0.04-0.08	12	6	206	1.5	998	706	506	526	263
JCJ-PW+1000-4	1000	4	0.04-0.08	12	6	212	1.5	998	706	506	526	263
JCJ-PW+1000-5	1000	5	0.04-0.08	12	6	219	1.5	998	706	506	526	263
JCJ-PW+1000-6	1000	6	0.04-0.08	12	6	226	1.5	998	706	506	526	263
JCJ-PW+300-3-T	250	3	0.1-0.2	22	5	128	1.1	763	537	467	488	244
JCJ-PW+300-4-T	250	4	0.1-0.2	22	5	134	1.1	763	537	467	488	244
JCJ-PW+300-5-T	250	5	0.1-0.2	22	5	141	1.1	763	537	467	488	244
JCJ-PW+300-6-T	250	6	0.1-0.2	22	5	148	1.1	763	537	467	488	244
JCJ-PW+500-3-T	450	3	0.1-0.2	18	6	164	1.85	802	601	685	706	353
JCJ-PW+500-4-T	450	4	0.1-0.2	18	6	171	1.85	802	601	685	706	353
JCJ-PW+500-5-T	450	5	0.1-0.2	18	6	178	1.85	802	601	685	706	353
JCJ-PW+500-6-T	450	6	0.1-0.2	18	6	185	1.85	802	601	685	706	353
JCJ-PW+700-3-T	650	3	0.1-0.2	18	6	199	2.2	888	641	515	536	268
JCJ-PW+700-4-T	650	4	0.1-0.2	18	6	205	2.2	888	641	515	536	268
JCJ-PW+700-5-T	650	5	0.1-0.2	18	6	212	2.2	888	641	515	536	268
JCJ-PW+700-6-T	650	6	0.1-0.2	18	6	219	2.2	888	641	515	536	268
JCJ-PW+1000-3-T	900	3	0.04-0.08	18	6	211	1.5	998	706	506	526	263
JCJ-PW+1000-4-T	900	4	0.04-0.08	18	6	217	1.5	998	706	506	526	263
JCJ-PW+1000-5-T	900	5	0.04-0.08	18	6	224	1.5	998	706	506	526	263
JCJ-PW+1000-6-T	900	6	0.04-0.08	18	6	231	1.5	998	706	506	526	263

Centre to Centre Spacing

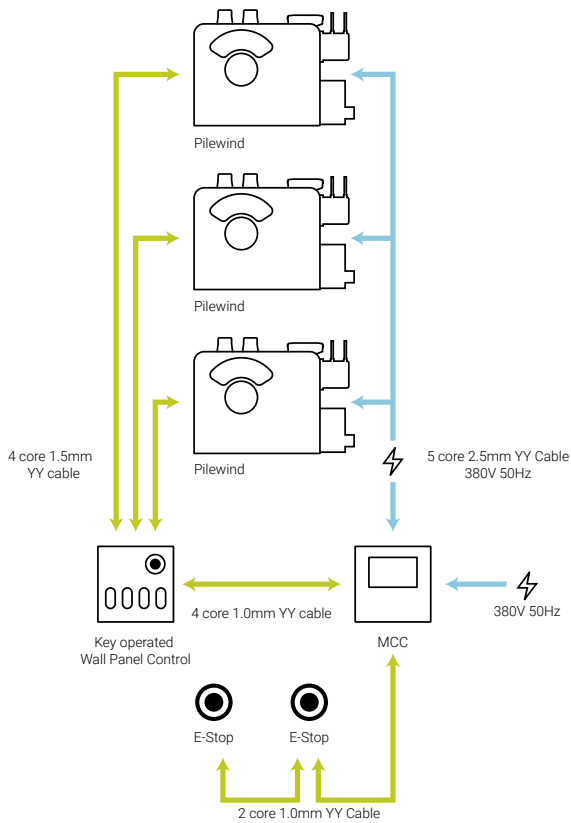
Set centres with hoists adjacent - See table spacing A



Set centres with hoists offset - See table spacing B



System Control Schematic



System Control Overview

The Stagehand 17206 is compatible with numerous control systems and J&C Joel can advise on the most suitable for your needs. Full schematics are available on request.

An entry level, cost effective control schematic is shown to the left. This includes a power distribution MCC and a wall mounted controller. The Controller comes supplied with a key for security and an E-stop. The key features are;

- Entry level control which is EN17206:2020 compliant
- Wall mounted control panel
- Winch selection on the control panel
- Key to lock the panel when not in use

For our full Winch Brochure, [click download or scan the QR code.](#)



[Download](#)