

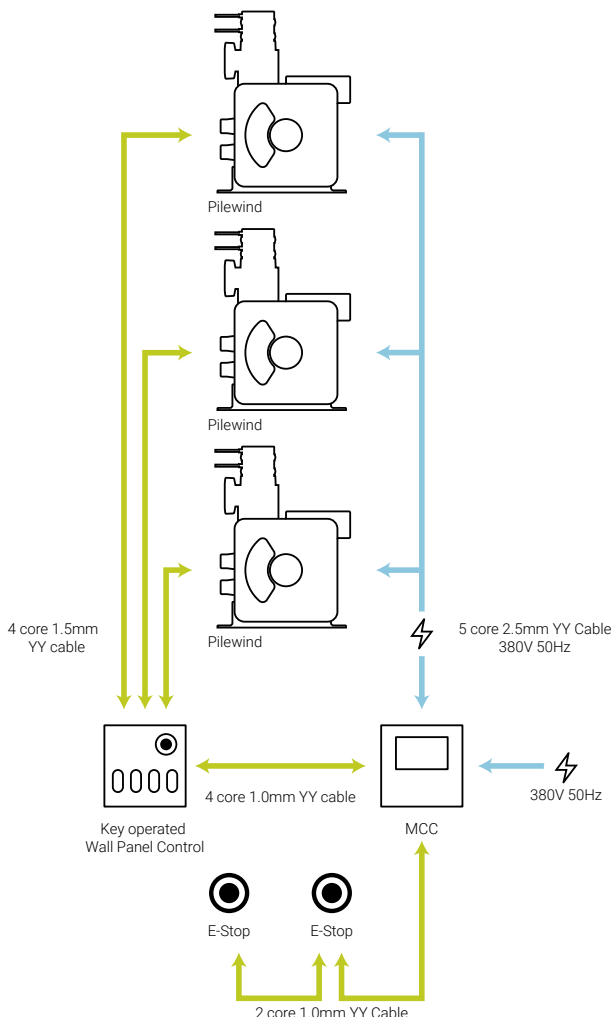
At a Glance

The Stagehand Pilewind Winch is J&C Joel's entry level winch for theatre lifting applications. We offer a range of standard variants which are shown in the table overleaf. Custom options are available upon request.

Standard Features

- MGM Motor with self-sustaining gearbox
- Single or double Precima Brakes
- Two limit switches for end & ultimate travel
- Redundant rope keeps on the drum
- Local control - up, down, e-stop
- Floor, wall or ceiling mountable
- CE Marked

Control Schematic



Optional Features

- Load-cell head pulley
- Overload and underload protection
- Soft start/stop & variable speed
- Absolute Encoder
- Slack line detection
- Motor overheat detection
- Brake release sensors

Local Control Overview

Every Stagehand Pilewind Winch comes with local control box comprised of an up, down and local e-stop.

System Control Overview

The Stagehand is compatible with numerous control systems and J&C Joel can advise on the most suitable for your needs. Full schematics are available on request.

An entry level, cost effective control schematic is shown to the left. This includes a power distribution MCC and a wall mounted controller. The Controller comes supplied with a key for security and an E-stop.

It is also possible to offer the Stagehand equipped with a cost effective soft start and stop add-on which uses a variable frequency drive.

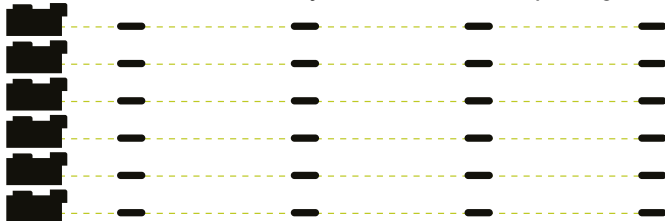
Stagehand Variants

Winch ID	ELL (kg)	No. Lines	Speed (m/s)	Travel (m)	Rope Ø (mm)	Self Weight	Power (kw)	Dim. X (mm)	Dim. Y (mm)	Dim. Z (mm)	Spacing A (mm)	Spacing B (mm)
JCJ-PW-250-3	250	3	0.15 - 0.30	14	5	145	1.1	348	760	600	368	184
JCJ-PW-250-4	250	4	0.15 - 0.30	14	5	154	1.1	360	760	600	380	190
JCJ-PW-250-5	250	5	0.15 - 0.30	14	5	161	1.1	373	760	600	393	196
JCJ-PW-250-6	250	6	0.15 - 0.30	14	5	168	1.1	385	760	600	405	202
JCJ-PW-500-3	500	3	0.15 - 0.30	12	6	172	2.2	376	845	600	396	198
JCJ-PW-500-4	500	4	0.15 - 0.30	12	6	179	2.2	389	845	600	409	205
JCJ-PW-500-5	500	5	0.15 - 0.30	12	6	186	2.2	402	845	600	422	211
JCJ-PW-500-6	500	6	0.15 - 0.30	12	6	193	2.2	414	845	600	434	217
JCJ-PW-1000-3	1000	3	0.04 - 0.07	12	6	199	1.5	404	725	868	424	212
JCJ-PW-1000-4	1000	4	0.04 - 0.07	12	6	206	1.5	417	725	868	437	218
JCJ-PW-1000-5	1000	5	0.04 - 0.07	12	6	215	1.5	429	725	868	449	225
JCJ-PW-1000-6	1000	6	0.04 - 0.07	12	6	222	1.5	442	725	868	462	231
JCJ-PW-1000-3-F	1000	3	0.15 - 0.30	12	6	199	5.5	404	725	868	424	212
JCJ-PW-1000-4-F	1000	4	0.15 - 0.30	12	6	206	5.5	417	725	868	437	218
JCJ-PW-1000-5-F	1000	5	0.15 - 0.30	12	6	215	5.5	429	725	868	449	225
JCJ-PW-1000-6-F	1000	6	0.15 - 0.30	12	6	222	5.5	442	725	868	462	231
JCJ-PW-250-3-T	200	3	0.15 - 0.30	22	5	145	1.1	348	760	600	368	184
JCJ-PW-250-4-T	200	4	0.15 - 0.30	22	5	154	1.1	360	760	600	380	190
JCJ-PW-250-5-T	200	5	0.15 - 0.30	22	5	161	1.1	373	760	600	393	196
JCJ-PW-250-6-T	200	6	0.15 - 0.30	22	5	168	1.1	385	760	600	405	202
JCJ-PW-500-3-T	450	3	0.15 - 0.30	18	6	172	2.2	376	845	600	396	198
JCJ-PW-500-4-T	450	4	0.15 - 0.30	18	6	179	2.2	389	845	600	409	205
JCJ-PW-500-5-T	450	5	0.15 - 0.30	22	5	186	2.2	402	845	600	422	211
JCJ-PW-500-6-T	450	6	0.15 - 0.30	22	5	193	2.2	414	845	600	434	217
JCJ-PW-1000-3-T	900	3	0.04 - 0.07	18	6	199	1.5	404	725	868	424	212
JCJ-PW-1000-4-T	900	4	0.04 - 0.07	18	6	206	1.5	417	725	868	437	218
JCJ-PW-1000-5-T	900	5	0.04 - 0.07	18	6	215	1.5	429	725	868	449	225
JCJ-PW-1000-6-T	900	6	0.04 - 0.07	18	6	222	1.5	442	725	868	462	231

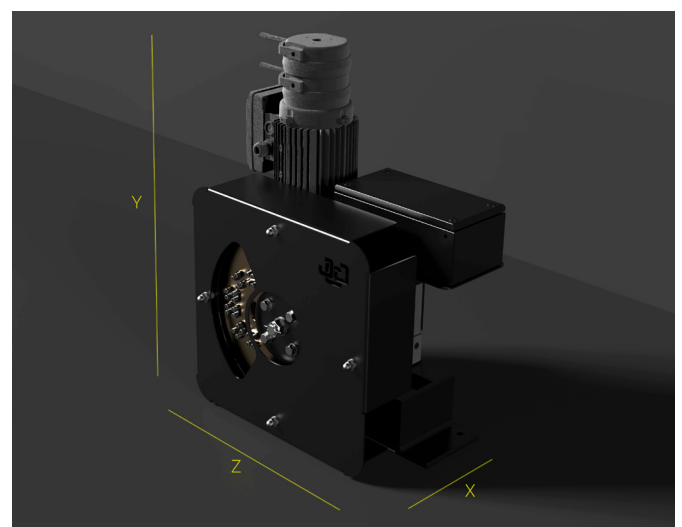
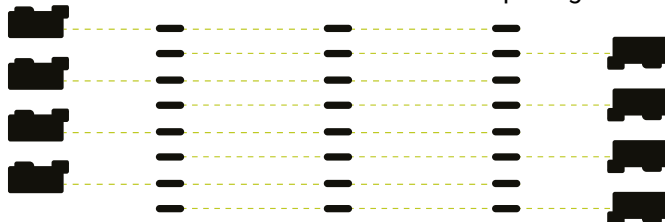
Please note, the “-F” range requires use of the soft start and stop add-on.

Centre to Centre Spacing

Set centres with hoists adjacent - See table spacing A



Set centres with hoists offset - See table spacing B



For our full Winch Brochure, click [download](#) or scan the QR code.



[Download](#)